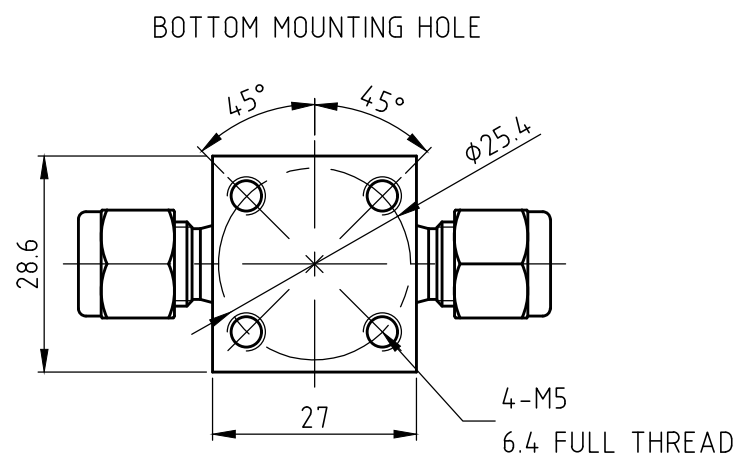
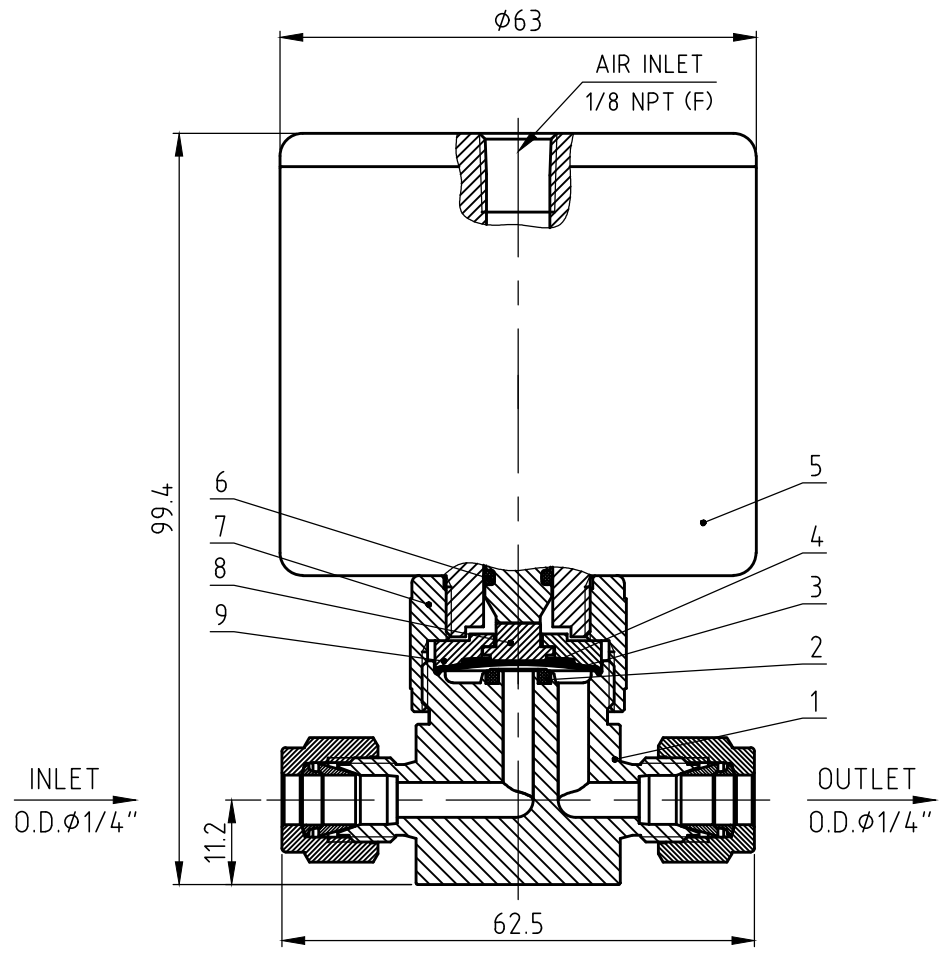


Component	Material Grade
1 Body	316L.S.S/ASTM A182
2 Seat	PCTFE/ASTM D1430
3 Diaphragm	R30003/AMS 5876
4 Washer	631
5 Pneumatic Actuator	6061/ASTM B211
6 O-Rings	NBR
7 Bonnet Nut	316L.S.S/ASTM A479
8 Button	316L.S.S/ASTM A479
9 Bonnet	316L.S.S/ASTM A479



Technical Data:

Max. WP	3045psi (210bar)
Temperature Range	-10~150°F (-23~65°C)
Pneumatic Actuator	Normally Closed
Inboard Leak Rate	1x10 ⁻⁹ std cm ³ /s He
Actuation Pressure	5~8 bar
Cv	0.2

Pressure vs. Temperature Ratings:

Temperature °F (°C)	Working Pressure psig (bar)	Temperature °F (°C)	Working Pressure psig (bar)

A	May.11.2023				YES
REV	Revision Date	Created	Checked	Approved	Status
CIR-LOK		Title	Diaphragm Valves		
		Model	DV5-F4-H-NC-316L		
Format	A4	Unit	mm	View	
Scale	Not 1:1	Page	1 of 1		