

# Pressure Gauges

## PG1 Series



- ❖ 63 mm and 100 mm dial sizes are available.
- ❖ The accuracy is according to ASME B40.1, EN 837-1, JIS B7505.
- ❖ High pressure measurement up to 100 Mpa
- ❖ The degree of protection is IP65.
- ❖ Hermetically sealed construction.
- ❖ Tube adapter align the dial to the desired position.
- ❖ Lower Mount, Center-Back Mount and Lower-Back Mount are provided.
- ❖ Design is liquid fillable

## Features

- ❖ 63 mm and 100 mm dial sizes are available.
- ❖ The accuracy is according to ASME B40.1, EN 837-1, JIS B7505.
- ❖ High pressure measurement up to 100 Mpa
- ❖ The degree of protection is IP65.
- ❖ Hermetically sealed construction.
- ❖ Tube adapter align the dial to the desired position.
- ❖ Lower Mount, Center-Back Mount and Lower-Back Mount are provided.
- ❖ Design is liquid fillable

## Technical Data

### Accuracy

- ❖ 63 mm : ± 1.5 % of span
- ❖ 100 :± 1.0 % of span

### Dial Ranges

- ❖ Compound Gauges: vacuum to 1.5 MPa
- ❖ Positive-Pressure Gauges: 0 to 100 MPa
- ❖ 14x1.5, 20x1.5 Male Metric Thread, 1/4", 1/2" Male NPT, 1/4", 3/8", 1/2", 6 mm, 10 mm, 12 mm tube adapter or other fitting types and sizes are available.

### Operating Temperature

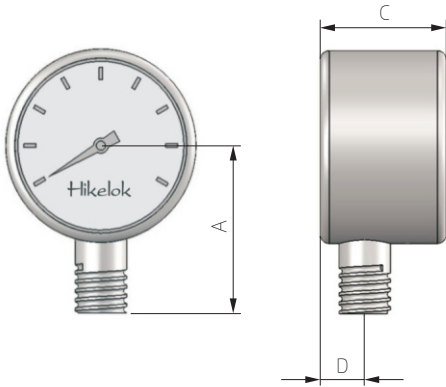
- ❖ Unfilled: -40 to 60°C (-40 to 140 °F)
- ❖ Glycerin: -20 to 60°C (-4 to 140 °F)
- ❖ Silicone: -40 to 60°C (-40 to 140 °F)
- ❖ Degree of protection: IP65.

## Standard Materials of Construction

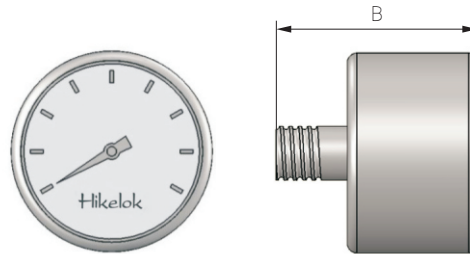
Component	Material
End connection	316 S.S.
Case	304 S.S.
Bourdon tube	316 S.S.
Dial	Aluminum
Pointer	Aluminum
Lens	Polycarbonate
Lens gasket	Buna N
Fill fluid (if ordered)	Glycerin or silicone

## Process Connection Location

Lower mount



Center-back mount



Dial Size mm (in.)	Dimension, in. (mm)			
	A	B	C	D
63 (2 1/2)	2.24 (57.0)	2.13 (54.0)	1.30 (33.0)	0.39 (10.0)
	2.24 (57.0)	2.40 (61.0)		
	2.09 (53.0)	2.24 (57.0)		
	2.32 (59.0)	2.17 (55.0)		
	2.24 (57.0)	2.40 (61.0)		
	2.32 (59.0)	2.44 (62.0)		
100 (4)	3.43 (87.0)	3.27 (83.0)	1.97 (50.0)	0.63 (16.0)
	3.15 (80.0)	3.27 (83.0)		
	3.58 (91.0)	3.11 (79.0)		
	3.43 (87.0)	3.27 (83.0)		
	3.58 (91.0)	3.11 (79.0)		

## Table of ranges

Dial Range, MPa		
Min.	Max.	Designator
Vacuum -0.1MPa	0	V0M
	0.06	V0.06M
	0.15	V0.15M
	0.3	V0.3M
	0.5	V0.5M
	0.9	V0.9M
	1.5	V1.5M
0	0.1	0.1M
	0.16	0.16M
	0.25	0.25M
	0.4	0.4M
	0.6	0.6M
	1	1M
	1.6	1.6M
	2.5	2.5M
	4	4M
	6	6M
	10	10M
	16	16M
	25	25M
	40	40M
60	60M	
100	100M	

Dial Range, Bar		
Min.	Max.	Designator
Vacuum -1 bar	0	V0B
	0.6	V0.6B
	1.5	V1.5B
	3	V3B
	5	V5B
	9	V9B
	15	15B
0	1	1B
	1.6	1.6B
	2.5	2.5B
	4	4B
	6	6B
	10	10B
	16	16B
	25	25B
	40	40B
	60	60B
	100	100B
	160	160B
	250	250B
	400	400B
600	600B	
1000	1000B	

Dial Range, psi		
Min.	Max.	Designator
Vacuum -0.30 in.Hg	0	V0P
	15	V15P
	30	V30P
	60	V60P
	100	V100P
	160	V160P
	200	V200P
0	15	15P
	30	30P
	60	60P
	100	100P
	160	160P
	200	200P
	300	300P
	400	400P
	600	600P
	800	800P
	1000	1000P
	1500	1500P
	2000	2000P
	3000	3000P
5000	5000P	
6000	6000P	
10000	10000P	
15000	15000P	

**Note:** The maximum pressure value may be restricted to the end connection

**How to Order**

**PG1 — D63 — 16M — C — NPT4 — GL — 316**

Series	Dial Size	Dial Range	Process Connection Location	Port Type	Port Size	Liquid Fill Fluid	Material
PG1	D63 63mm	Please refer to the table of ranges	Lower Mount	MS Male ISO	4 1/4"	Unfilled	316 316 S.S.
	D100 100mm		C Center-Back Mount	NPT Male NPT	6 6 mm or 3/8"	GL Glycerin	
			MBP Male BSPP	8 1/2"	SI Silicone		
			FT Fractional Tube Adapter	10 10 mm			
			MT Metric Tube Adapter	12 12 mm			
			14 M 14x1.5				
			20 M 20x1.5				